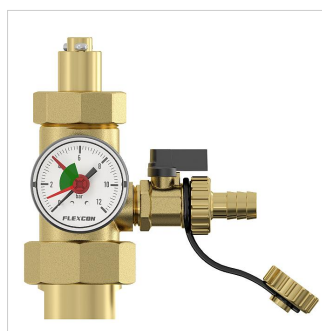
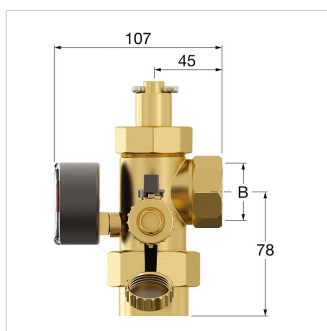
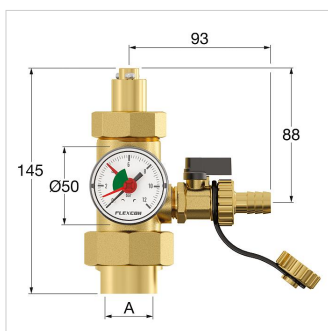


Справочные данные (2018-08-31)
27293 - Flexcon connectiongroup 1 press. gauge


| | | |
|--------------|---|--|
| Description | | Flexcon connectiongroup 1 press. gauge |
| Article | | 27293 |
| Model | | Комплект соединений Flexcon 1" |
| Соединение | A | 1" F |
| | B | 1" F |
| С манометром | | да |


Packaging info

| | |
|-------------------------------------|--------------------|
| Unity of use | 1 Piece |
| Packaging form | коробка |
| Packaging dimensions (H. x W. x L.) | 250 x 420 x 250 mm |
| Weight | 13.758 Kilogram |

Classification General Data

| | |
|----------------|--|
| Etim Group | Measuring and control devices |
| Etim Class | Expansion tank connection group |
| Product Name | Flexcon connectiongroup 1 press. gauge |
| Brand | Flamco |
| Product Series | Accessories for heating systems |
| Product Type | 1 |

Attributes

| | |
|---|------|
| Outer pipe diameter connection 1 [mm] | 33.7 |
| External tube diameter of connection 2 [mm] | 33.7 |
| With pressure gauge | Yes |
| With filling/drain tap | Yes |
| Right-angled model | Yes |