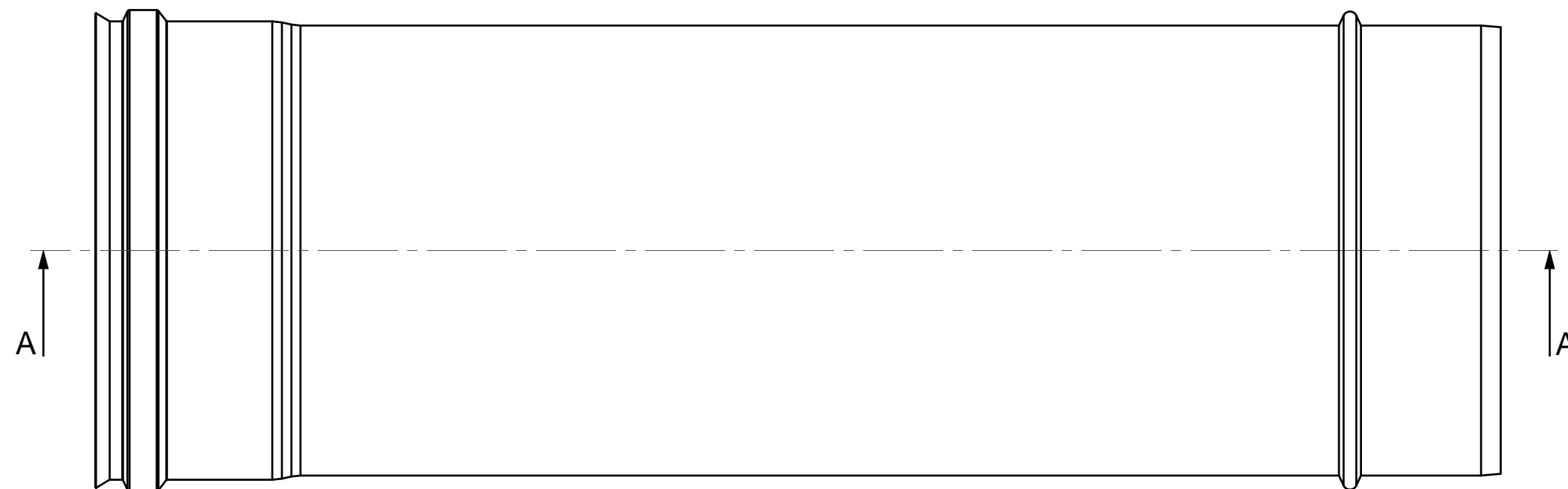
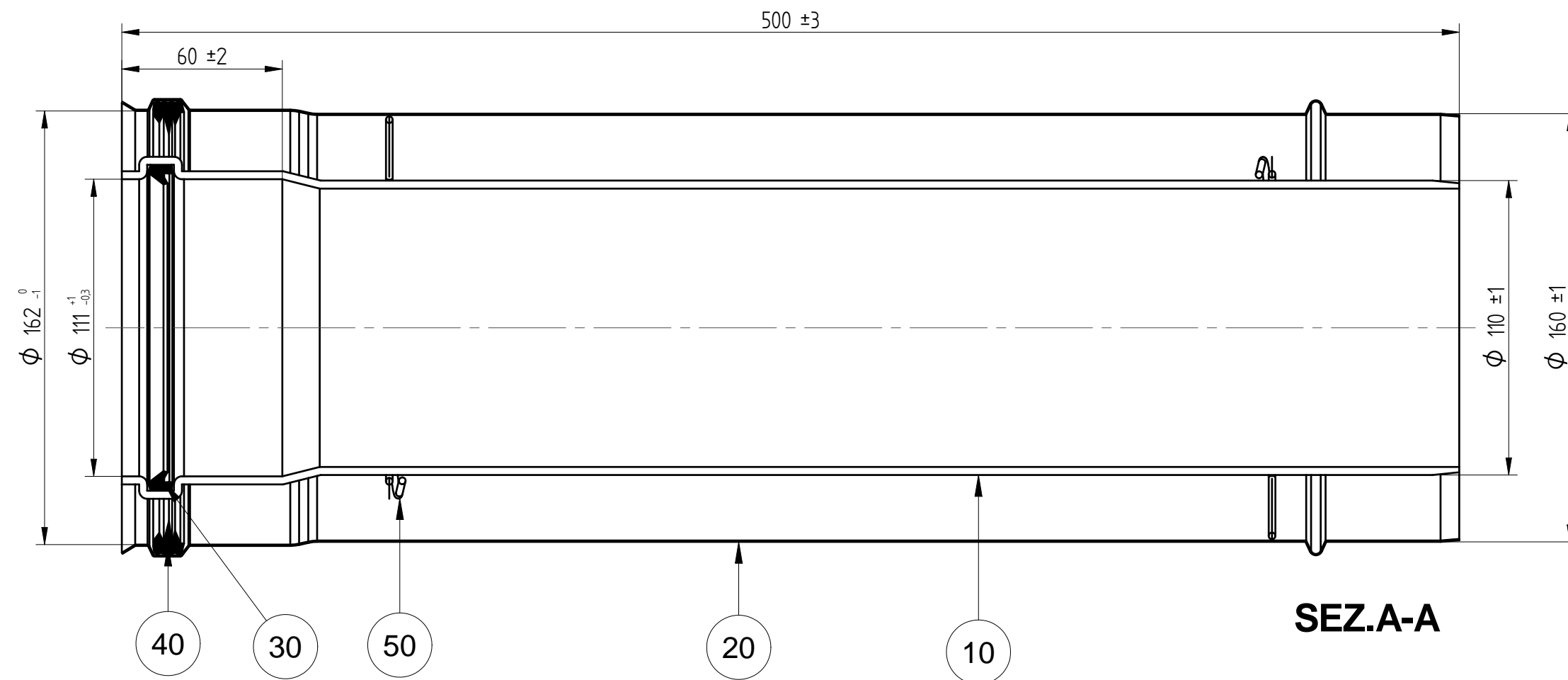


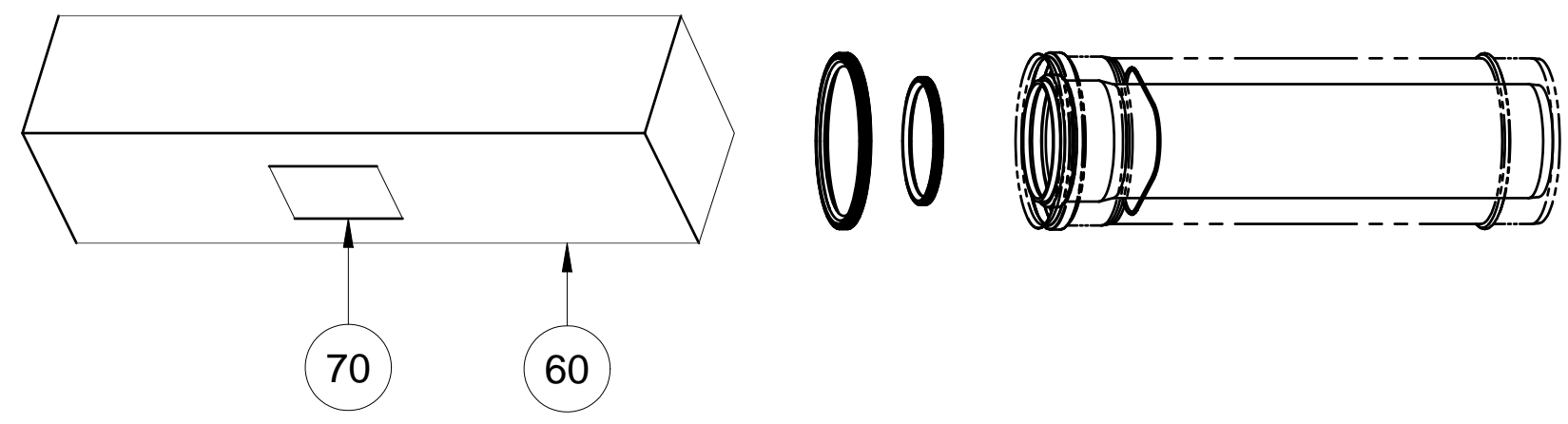
ALL COMPONENTS MUST COMPLY WITH THE EUROPEAN DIRECTIVE ON THE RESTRICTION OF THE USE OF THE CERTAIN HAZARDOUS SUBSTANCES (RoHS)  
CHECK REVISION AND STATUS BEFORE USE



CODICE DISEGNO FORNITORE : 63232856  
CODICE ARTICOLO FORNITORE: 939382540

CODICE PRODOTTO FINITO CONFEZIONATO BAXI: KUG714133711

ETICHETTA INDICATIVA A CURA DEL FORNITORE  
DISEGNO NON IN SCALA



DISEGNO SCATOLA E PARTICOLARE NON IN SCALA

■ Ø 110/160 mm L=500 EXTENSION FLUE  
 ■ ROHR L=500 Ø 110/160 mm  
 ■ TUBE L=500 Ø 110/160 mm  
 ■ TUBO L=500 Ø 110/160 mm  
 ■ TUBE L=500 Ø 110/160 mm  
 ■ TUBO L=500 Ø 110/160 mm

[codice a barre tipo C39] vedi KUG71.....  
 \*KUG714133711\*  
 [codice EAN 13] 8022945974101

ITEM NO	PART NUMBER	DESCRIPTION	QTY
/	XXXXXX	VITE 3,5 X 19 UNI 8118 (IN SACCHETTO PLASTICA)	2
70	XXXXXX	ETICHETTA IDENTIFICAZIONE KIT	1
60	XXXXXX	SCATOLA IMBALLO KIT 520x190x190	1
50	XXXXXX	MOLLA A FILO Ø 110/160 mm	2
40	7113410.	GUARNIZIONE Ø 160 MM EPDM OMOLOGATO - ROSSA	1
30	34.0221.	GUARNIZIONE Ø 110 MM EPDM OMOLOGATO - NERA	1
20	XXXXXX	TUBO Ø 160X1X500 M-F COLORE BIANCO RAL 9003	1
10	XXXXXX	TUBO Ø 110X3X500 M-F PP TRASL	1

Eliminato cod. etichetta imballo - aggiunto viti 3,5 x 19 - variato codice prodotto finito		DIRS
Change Description		Refers To
DIMENSION TOLERANCE TO ISO 14405 © All Dimensions Must Meet Envelope Requirements. Tolerance: ISO 2768 mK		
A2	Sheet No.: 1 of 1	First Angle Projection
Units: mm	Scale: 1:1	Material Specification:
Creator: Ceccato, Sergio		Date Of Issue: 29-Jul-13
Title: TUBO COAS. L 500 D.110-160 MM		Release Status: Work In Progress When Blank
Item Number: 570468		Revision: 02

THE REPRODUCTION, DISTRIBUTION AND UTILIZATION OF THIS DOCUMENT AS WELL AS THE COMMUNICATION OF ITS CONTENTS TO OTHERS WITHOUT EXPRESS AUTHORIZATION IS PROHIBITED. OFFENDERS WILL BE HELD LIABLE FOR THE PAYMENT OF DAMAGE. ALL RIGHTS RESERVED IN THE EVENT OF THE GRANT OF A PATENT, UTILITY MODEL OR DESIGN.